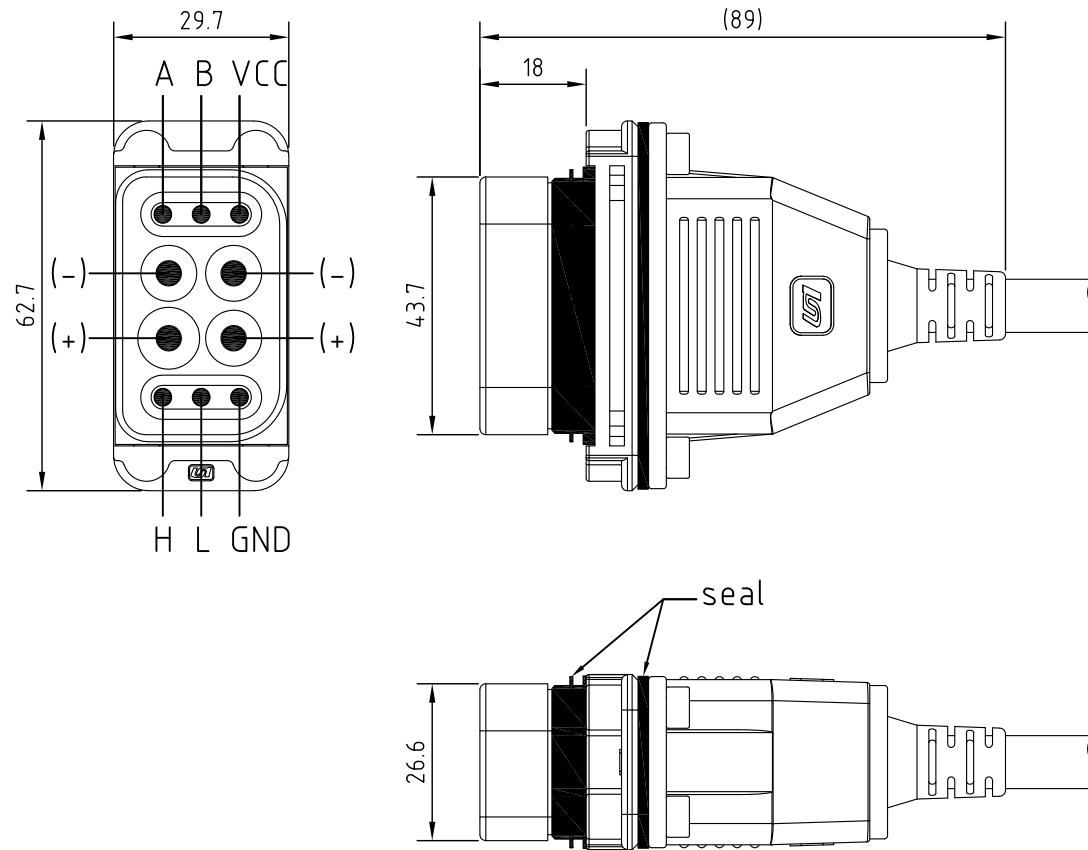


REV.	Description	Date
1	contact resistance revise	2016/4/19
2	part number change	2025/2/27



Electronical Characteristics

Rated voltage	: 600V
Rated current	: Large pin 30A Small pin 5A
Contact resistance	: Large pin <5mΩ Small pin <30mΩ
Insertion force	: <80N
Withdrawal force	: <80N
Operating temperature	: -20°C TO +85°C

RoHS
TOLERANCE X±0.5 .X±0.3



Unicable Co., Ltd. 國陽電業有限公司

5F., No. 111-33, Sec. 4, San Ho Road., San Chung Dist., New Taipei City, Taiwan
http://www.unicable.com.tw Tel:+886-2-2286-2122 Fax:+886-2-2286-1010

PART NO.	3215A-A02M2510P-01/UT-4323T1		
DATE	2025/2/27	UNIT	MM
DWN	GINA	REV.	2
CHK			

ITEM

Connector Male